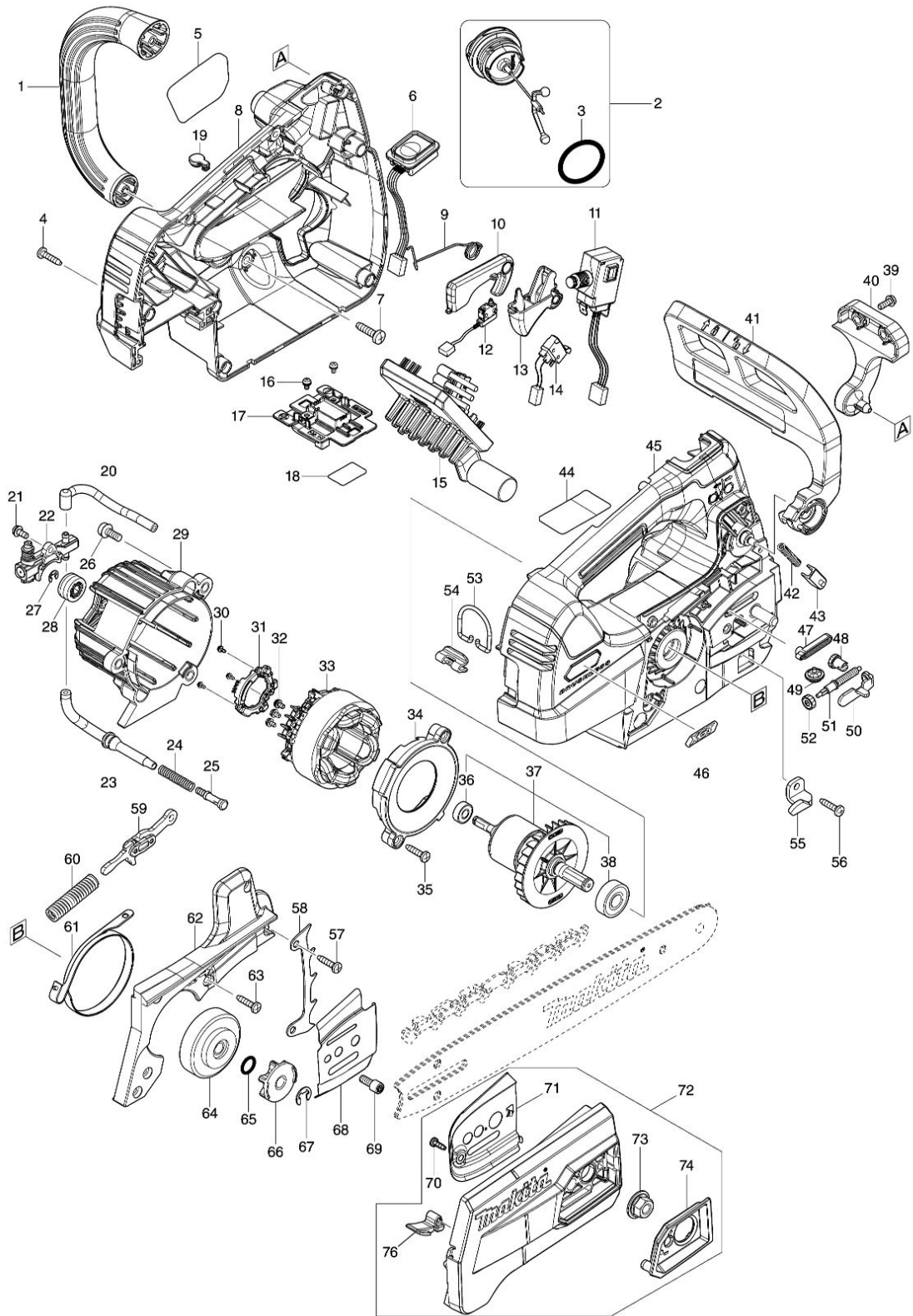


Partdrawing for UC004GZ - Kettingzaag



Model No. UC004G 350MM CORDLESS CHAIN SAW



| Nr. | Part nr. | Name |
|--------|----------|-----------------------------|
| 001 | 413979-0 | Handgreep UC002 |
| 002 | 122A77-2 | Tankdop UC002G |
| 003 | 213080-9 | O-Ring 29,5Mm A |
| 004 | 266326-2 | Tap Schroef 4X18mm P |
| 005 | 8041P4-0 | Naamplaat UC004G |
| 006 | 141G07-0 | Schakelcircuit UC002G |
| 006C10 | 810D46-0 | Label A/U AS1925 |
| 007 | 266420-0 | Schroef 4X20 Hr2811 |
| 008 | 183U56-5 | Motorhuisset UC002G |
| 008C10 | 263005-3 | Rubber Pen 6 AC320H P |
| 009 | 232713-7 | Borgveer 10 UC002G |
| 010 | 413987-1 | Hendel UC002G |
| 011 | 650011-1 | Schakelaar UC002G |
| 012 | 632L49-0 | Schakelaar DUC254Z |
| 013 | 459282-5 | Schakelhendel UC002G |
| 014 | 632L48-2 | Schakelaar DUC254Z |
| 015 | 620F70-5 | Controller UC002G |
| 015C10 | 688131-1 | Lijn Filter Hm1810 |
| 016 | 652031-1 | Schroef M3X6 |
| 017 | 632S63-8 | Circuitunit UC002G |
| 018 | 8110X5-1 | Label serienr UC004G |
| 019 | 422467-6 | Afdekkap DUC353Z |
| 020 | 422764-0 | Olieslang 3x85mm UC002G |
| 021 | 911113-1 | Schroef 4X10 |
| 022 | 142156-4 | Oliepomp Es-Serie |
| 023 | 422765-8 | Olieslang 3x109mm UC002G |
| 024 | 231975-4 | Drukveer Dcs230T |
| 025 | 452666-6 | Zuigkop DUC355/EA3201S A |
| 026 | 911218-7 | MET.SCHROEF PH M5X14MM CK P |
| 027 | 961011-9 | Stopring E-4 |
| 028 | 226884-0 | Wormtandwiel DUC353Z |
| 029 | 413904-1 | Motorhuis UC002G |
| 030 | 652093-9 | Met.schr. M2x5mm RS002G |
| 031 | 620F73-9 | Sensor UC002G |
| 032 | 652069-6 | Kruiskop Schroef M3X6 |
| 033 | 629A85-9 | Veld UC002G |
| 034 | 413980-5 | Tussenplaat UC002G P |
| 035 | 266326-2 | Tap Schroef 4X18mm P |
| 036 | 210026-6 | Kogellager 696ZZ A |
| 037 | 519710-3 | Anker assy UC002G |
| 038 | 210059-1 | Kogellager hoog T LM004 P |
| 039 | 911118-1 | Schroef 4X12 P |
| 040 | 413907-5 | Beschermkap UC002G |
| 041 | 141E58-1 | Beschermkap UC002G |
| 041C10 | 8042N8-4 | Label waarschuw UC002G |
| 042 | 232714-5 | Drukveer 3 UC002G |

| Nr. | Part nr. | Name |
|--------|----------|---------------------------|
| 043 | 313212-9 | Geleider Ea3200S * |
| 044 | 8110W9-6 | Naamplaat UC004G |
| 045 | 183U56-5 | Motorhuisset UC002G |
| 045C10 | 263005-3 | Rubber Pen 6 AC320H P |
| 046 | 8012U4-2 | Label XGT HS004G |
| 047 | 422466-8 | Doorvoer DUC353Z |
| 048 | 227620-7 | Aandrijftandwiel AS1925 |
| 049 | 227634-6 | Tandwiel 14 PS254C |
| 050 | 347517-5 | Spanplaat DUC353Z |
| 051 | 327317-9 | Stelschroef DUC353Z |
| 052 | 227496-2 | Tandwiel 14 Uc30/35/4020A |
| 053 | 281222-3 | Haakclip DUC254C |
| 054 | 347514-1 | Haaksteun DUC353Z |
| 055 | 347516-7 | Kettingvanger DUC353Z |
| 056 | 266326-2 | Tap Schroef 4X18mm P |
| 057 | 266326-2 | Tap Schroef 4X18mm P |
| 058 | 346809-9 | Boomaanslag Ps3700 |
| 059 | 141E60-4 | Koppelplaat UC002G |
| 060 | 232452-9 | Drukveer 7 AS1925 P |
| 061 | 347864-4 | Remband UC002G |
| 062 | 413981-3 | Afdekkap R UC002G |
| 063 | 266326-2 | Tap Schroef 4X18mm P |
| 064 | 162979-4 | Remtrommel UC002G |
| 065 | 213060-5 | O-Ring 10 Duc353 |
| 066 | 191V90-7 | Kettingtandwiel 6 UC002G |
| 067 | 961013-5 | Stopring E-7 |
| 068 | 347533-7 | Geleideplaat L DUC353Z |
| 069 | 266905-6 | Inbusbout M5X12mm DUC254C |
| 070 | 266007-8 | Tapschroef Pt3X10 A |
| 071 | 347534-5 | Geleideplaat R DUC353Z |
| 072 | 136573-8 | Sprocketkap UC002G |
| 073 | 162494-8 | Moer m/flens DUC306 |
| 074 | 413986-3 | Moerkap UC002G |
| 076 | 422310-9 | Spaangeleider DUC254Z |